

# Package #1

Dimensions available:

A - 60" x 30" x 82"

B - 60" x 33" x 82"



Everything you need in one convenient shower package including accessories. Five piece barrier free shower with "Diamond tile" finish and 1-3/4 inch threshold. Available in white or bone, right or left hand drain.

Strong, luxurious polyester gelcoat composite fiberglass shower with "Diamond tile" finish. Full plywood backing on all walls for outstanding strength. Easy, snap-in-place installation from the front.

## Shower Package Includes:

24" x 1.25" SS or white safety bar  
48" x 1.25" SS or white safety bar  
22" x 16" padded folding seat w/ legs  
Symmons shower valve w/ handheld shower system  
Caulkless brass drain w/ chrome screen  
Curtain rod, brackets and rings  
Heavy vinyl shower curtain  
TWS - WaterStopper kit

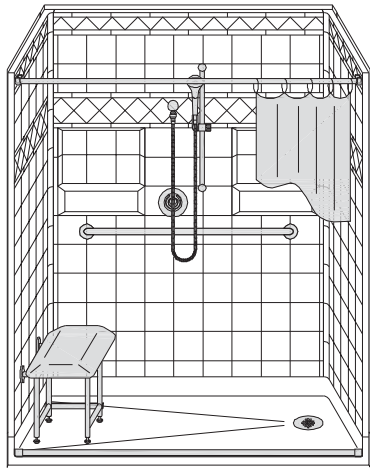
Best Bath  
SYSTEMS

# Package #1-A 5LDS6030B17T

# Package #1-B 5LDS6033B17T

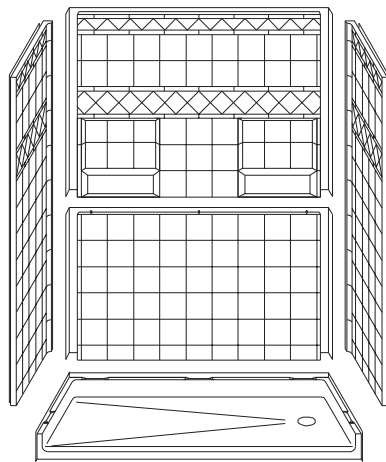
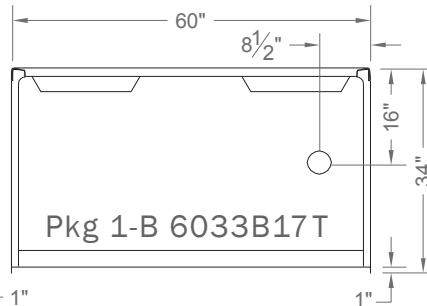
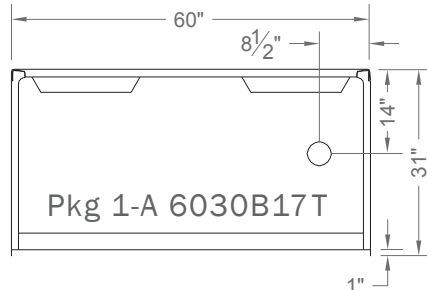
## BARRIER FREE

TOP VIEW

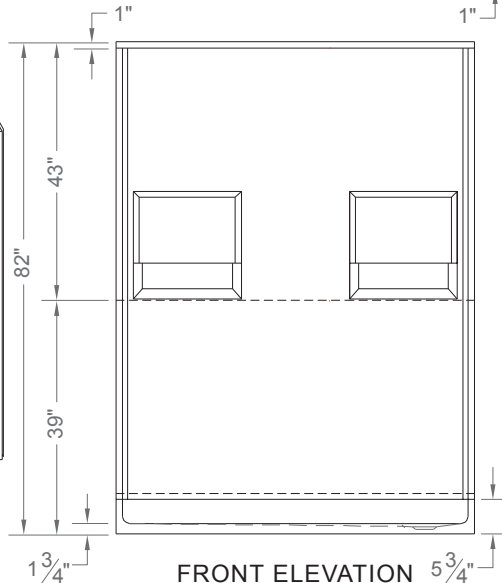


PERSPECTIVE VIEW  
(Not to scale)

Shown as a Right Hand Shower



ASSEMBLY VIEW  
(Not to scale)



FRONT ELEVATION 5 3/4"

- Rough-in: Stud opening +1/4" - 0" Nominal Dimensions

### FEATURES:

- Molded, five piece gelcoat/fiberglass shower
- Diamond Tile wall finish, white (standard) or bone
- Integral full wood backing in all walls for strength and unlimited accessory placement
- Right or left hand drain
- Easy snap-in installation
- No grout cleaning, easy care finish

### CODES:

*Designed and manufactured in compliance with the following standards and codes:*

- A.N.S.I. Z124.2 Standards for Plastic Showers
- IPC International Plumbing Code
- UPC Uniform Plumbing Code

### PACKAGE ACCESSORIES INCLUDE:

Accessories not necessarily represented in photo or drawings.

Item:

- 24" x 1.25" SS or white safety bar
- 48" x 1.25" SS or white safety bar
- 22" x 16" padded folding seat w/ legs
- Symmons shower valve w/ handheld Shower
- Caulkless brass drain w/ chrome screen
- Curtain rod, brackets and rings
- Heavy vinyl shower curtain
- TWS - WaterStopper kit

